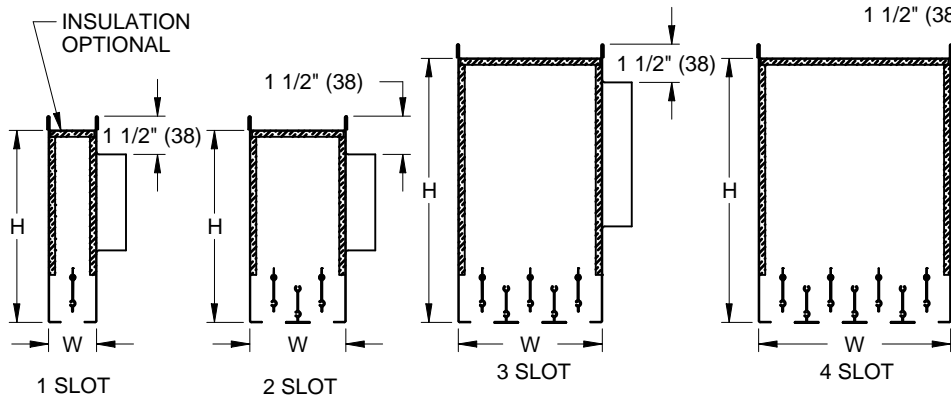


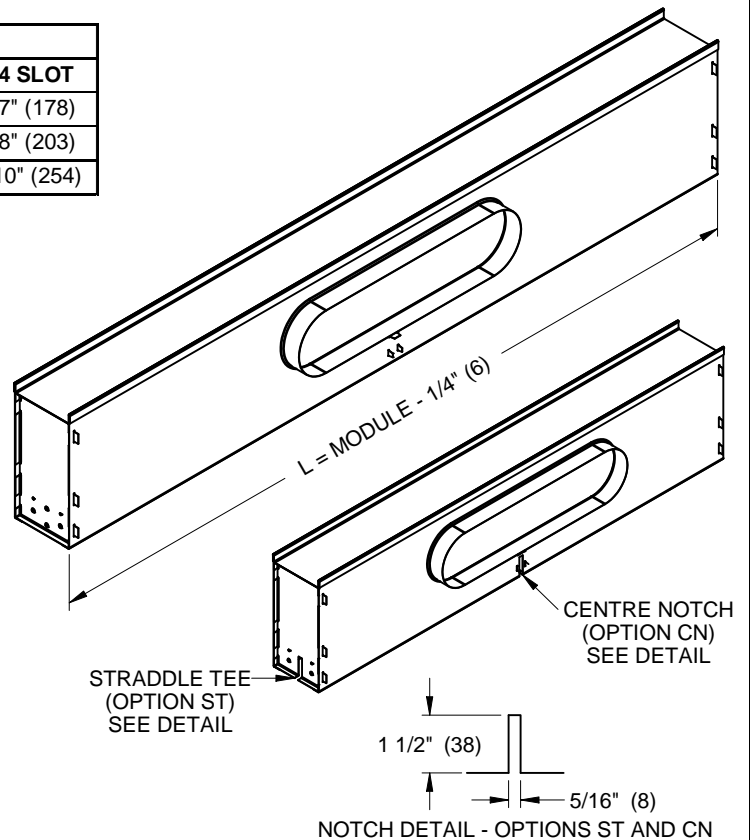
TBD4, TBDI4 T-BAR SUPPLY DIFFUSERS



MODULE LENGTH	L
24"	23 3/4"
30"	29 3/4"
36"	35 3/4"
48"	47 3/4"
60"	59 3/4"
600mm	(594)
750mm	(744)
900mm	(894)
1200mm	(1194)
1500mm	(1494)

	SLOT WIDTH	W			
		1 SLOT	2 SLOT	3 SLOT	4 SLOT
TBD475	3/4" (19)	1 3/4" (44)	3 1/2" (89)	5 1/4" (133)	7" (178)
TBD4100	1" (25)	2" (51)	4" (102)	6" (152)	8" (203)
TBD4150	1 1/2" (38)	2 1/2" (64)	5" (127)	7 1/2" (191)	10" (254)

	AVAILABLE INLET SIZES	H
1 & 2 SLOT	6" (152) OVAL = 4"x7" (102x178)	8" (203)
	8" (203) OVAL = 4x10 1/8" (102x257)	8" (203)
	10" (254) OVAL = 4x13 1/4" (102x337)	8" (203)
	12" (305) OVAL = 6x15 7/32" (152x387)	11" (279)
3 & 4 SLOT	6" (152) ROUND	11" (279)
	8" (203) OVAL = 6x8 15/16" (152x227)	11" (279)
	10" (254) OVAL = 6x12 1/16" (152x307)	11" (279)
	12" (305) OVAL = 6x15 7/32" (152x387)	11" (279)



**STANDARD CONSTRUCTION:**

- COATED STEEL PLENUM CONSTRUCTION
- EXTRUDED ALUMINUM BLADE AND CENTRE TEE
- VINYL BLADE SEAL

**INSULATION OPTIONS (MODEL TBDI4):**

- CF - COATED FIBERGLASS INSULATION
- FF - FIBER FREE FOAM INSULATION
- AFI - EXTERNAL ALUMINUM FOIL BACKED INSULATION

**OPTIONS:**

- ST - STRADDLE TEE (2 SLOT UNITS ONLY)
- CN - CENTER NOTCH (36"/900mm AND LONGER)
- TB1 - ONE OUTSIDE TEE BAR ON INLET SIDE
- TB2 - OUTSIDE TEE BAR ON BOTH SIDES
- TC1 - TEE BAR CLIPS ON INLET SIDE
- TC2 - TEE BAR CLIPS ON BOTH SIDES
- APF - ALUMINUM PLASTER FRAME

**FINISH:**

- BLADES - B17 BLACK
- CENTRE TEE - B12 WHITE
- CENTRE TEE - B17 BLACK
- BFS - BLACK FACE SURFACES

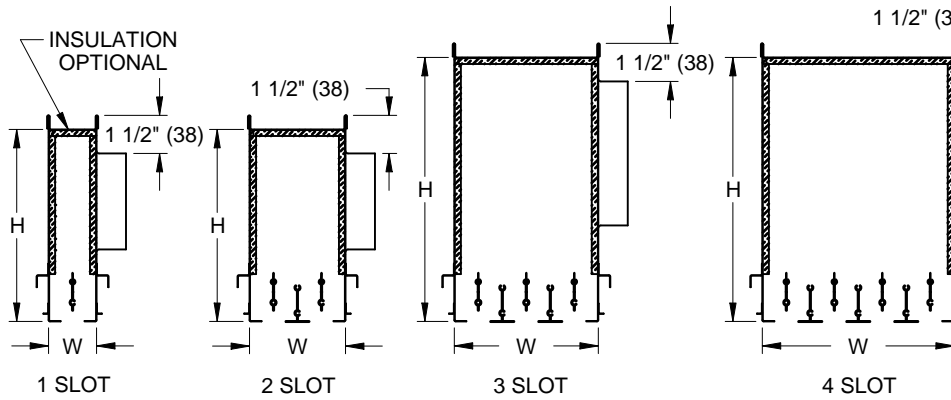
**NOTES:**

- TBDI4 ENDCAPS ARE UNINSULATED (OPTIONS CF AND FF)
- FACTORY TOLERANCE +/- 1/32" (1)

ALL METRIC DIMENSIONS ( ) ARE SOFT CONVERTED. IMPERIAL DIMENSIONS ARE CONVERTED TO METRIC AND ROUNDED TO THE NEAREST MILLIMETER.

PROJECT:		<b>PRICE</b>	TBD4, TBDI4 T-BAR SUPPLY DIFFUSER
ENGINEER:			
CUSTOMER:		245824	
SUBMITTAL DATE:	SPEC. SYMBOL:	2015/09/22	

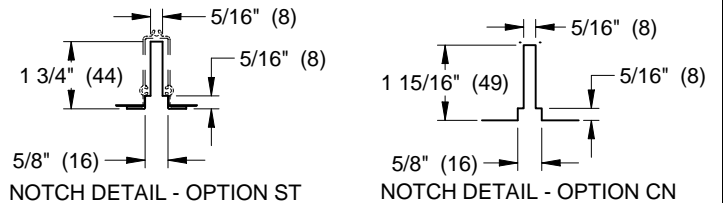
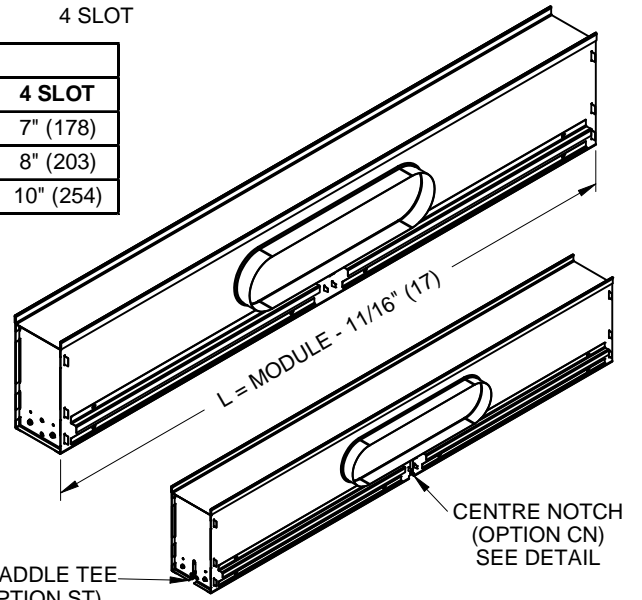
TBD4, TBDI4 T-BAR SUPPLY DIFFUSERS STYLE 17



MODULE LENGTH	L
24"	23 5/16"
48"	47 5/16"
600mm	(583)
1200mm	(1183)

	SLOT WIDTH	W				
		1 SLOT	2 SLOT	2 SLOT ST	3 SLOT	4 SLOT
TBD475	3/4" (19)	1 3/4" (44)	3 1/2" (89)	4 1/8" (105)	5 1/4" (133)	7" (178)
TBD4100	1" (25)	2" (51)	4" (102)	4 5/8" (117)	6" (152)	8" (203)
TBD4150	1 1/2" (38)	2 1/2" (64)	5" (127)	5 5/8" (143)	7 1/2" (191)	10" (254)

	AVAILABLE INLET SIZES	H
1 & 2 SLOT	6" (152) OVAL = 4"x7" (102x178)	8" (203)
	8" (203) OVAL = 4x10 1/8" (102x257)	8" (203)
	10" (254) OVAL = 4x13 1/4" (102x337)	8" (203)
	12" (305) OVAL = 6x15 7/32" (152x387)	11" (279)
3 & 4 SLOT	6" (152) ROUND	11" (279)
	8" (203) OVAL = 6x8 15/16" (152x227)	11" (279)
	10" (254) OVAL = 6x12 1/16" (152x307)	11" (279)
	12" (305) OVAL = 6x15 7/32" (152x387)	11" (279)



**STANDARD CONSTRUCTION:**

- COATED STEEL PLENUM CONSTRUCTION
- EXTRUDED ALUMINUM BLADE AND CENTRE TEE
- VINYL BLADE SEAL

**INSULATION OPTIONS (MODEL TBDI4):**

- CF - COATED FIBERGLASS INSULATION
- FF - FIBER FREE FOAM INSULATION
- AFI - EXTERNAL ALUMINUM FOIL BACKED INSULATION

**OPTIONS:**

- ST - STRADDLE TEE (2 SLOT UNITS ONLY)
- CN - CENTER NOTCH (48"/1200mm LENGTHS ONLY)

**FINISH:**

- BLADE - B17 BLACK
- CENTRE TEE - B12 WHITE
- CENTRE TEE - B17 BLACK
- BFS - BLACK FACE SURFACES

**NOTES:**

- TBDI4 ENDCAPS ARE UNINSULATED (OPTIONS CF AND FF)
- FACTORY TOLERANCE +/- 1/32" (1)

ALL METRIC DIMENSIONS ( ) ARE SOFT CONVERTED. IMPERIAL DIMENSIONS ARE CONVERTED TO METRIC AND ROUNDED TO THE NEAREST MILLIMETER.

PROJECT:		<b>PRICE</b>	TBD4, TBDI4 T-BAR SUPPLY DIFFUSER STYLE 17
ENGINEER:			
CUSTOMER:		245827	
SUBMITTAL DATE:	SPEC. SYMBOL:	2015/09/22	